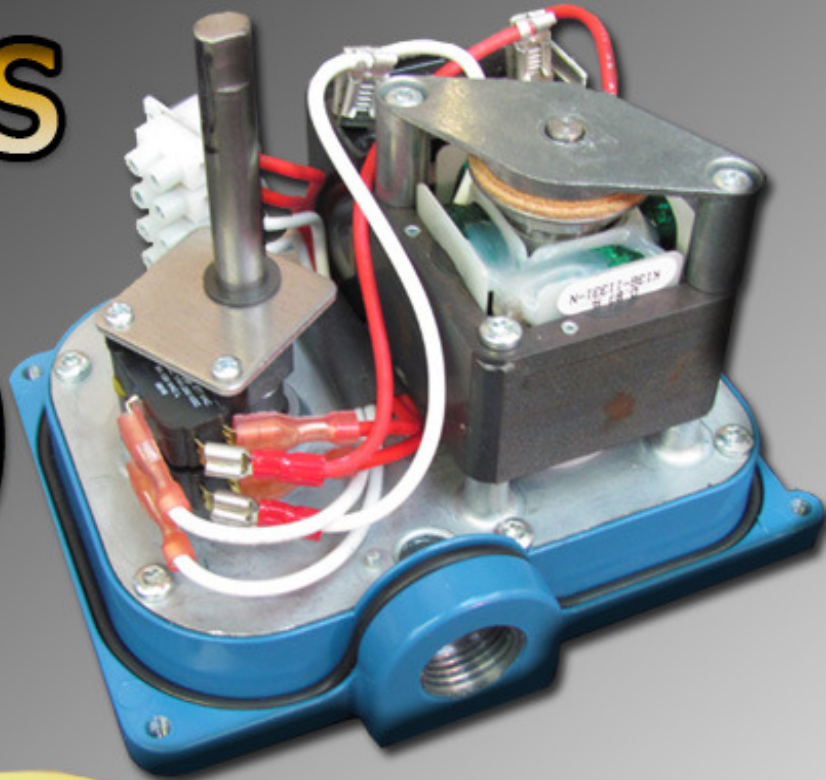


VALTORC

WWW.VALTORC.COM
AJBENTAL@VALTORC.COM
1 (866) VALTORC

ELECTRIC VALVE ACTUATORS

EL-600



VALTORC

EL-600 SERIES ELECTRIC VALVE ACTUATORS

FEATURES

VALTORC EL-600 Series electric actuator is a proven performer for on/off (open/close) valve and damper control. Combining low cost with an extremely high cycle life, the EL-600 Series actuators are a truly cost-effective, reliable solution to your simple valve actuation needs.

Easy to install, with no ongoing maintenance required, EL-600 Series actuators are ideally suited for OEM applications. They are designed to supply years of trouble-free actuation.

Efficient, Consistent Performance

A powerful split phase reversing AC motor drives the EL-600 to produce breakaway torque from 150 to 600 in-lbs. DC motors are also available.

The design of the VALTORC EL-600 actuator makes it one of the most cost-effective units on the market today. And because VALTORC EL-600 electric actuators are reliable and inherently low maintenance units (compared with pneumatic alternatives), you'll realize long-term efficiencies beyond the initial low price.

All EL-600 Series actuators include a visual position indicator and a holding brake to prevent back driving in butterfly valve, damper and resilient-seated ball valve applications.

Strength in Design and Engineering

Inside the EL-600 actuator you'll find a terminal strip with 12 wiring locations. The simplicity of design provides greater accessibility and actually makes wiring installation easier. The hardened steel spur gear drive train is remarkably efficient, resulting in consistent performance and long life in on/off applications. The manual override is declutchable for positive override ability. And an absolute position indicator is located on the shaft for easy reading.

The EL-600 cover is manufactured from an extremely strong PVC composite material that is resistant to damage and ultraviolet radiation. The enclosure is weatherproof and features a standard ISO-5211 mounting configuration. The low-profile design and direct drive male output make the EL-600 perfect for applications within limited space environments.



The Future of Valve Actuation

Find out why VALTORC is looking toward the future by setting new performance standards in the electric valve actuator industry. VALTORC would like to become a part of your future. For more details, contact your representative.

EL-600 OPTIONS

Heater/Thermostat

The heater and thermostat option is a chassis-mount resistance heater which contacts the motor support plate. It is wired into the existing 12-position terminal block and is recommended in humid environments and those that experience wide temperature swings in order to evaporate any condensation. The thermostat is pre-set to activate at 90°F, (33°C) and deactivate at 110°F, (44°C). The heaters draw approximately 15 watts at all voltages.

Female Output

EL-600 Series actuators with the L option are equipped with a 14mm female square output drive instead of the standard male square output drive. The female drive option allows for direct mounting to some valves (see dimensions for further information).

Auxiliary Limit Switches

Two extra switches may be added to EL-600 Series actuators to provide dry contacts; they are fully adjustable to trip at any position. The switches are often used for position indication or to interlock other devices (such as in sequencing operations). The switches are single pole, double throw switches rated for 1/2 HP, 15 amps @250VAC, CSA certified.

Heater/Thermostat

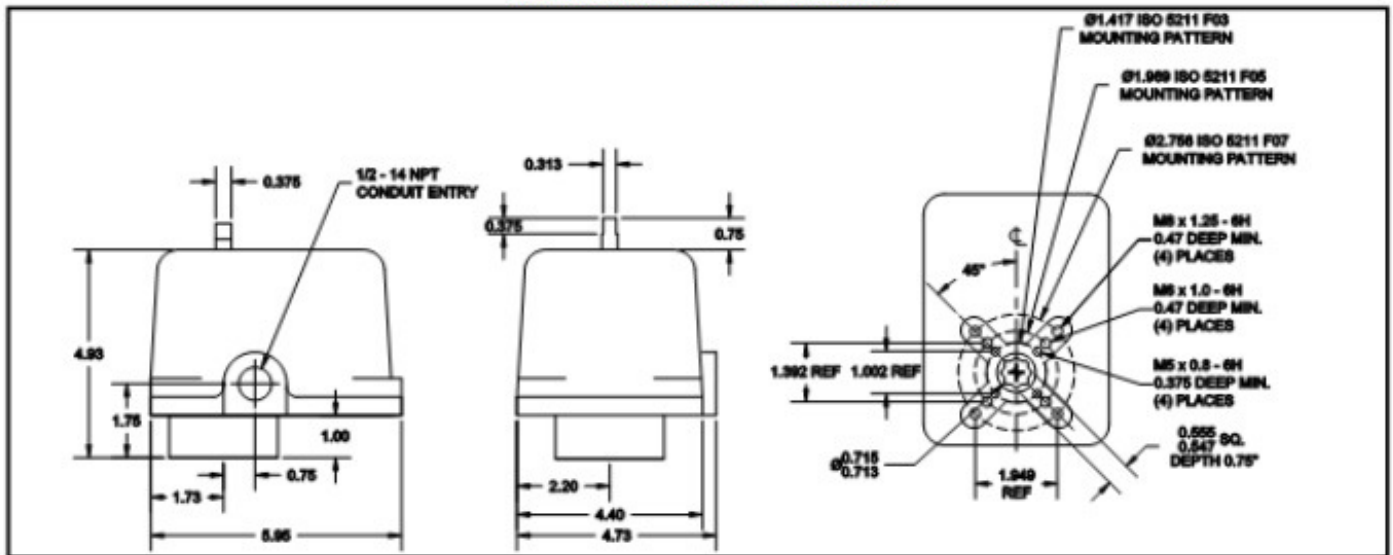
The heater and thermostat option is a chassis-mount resistance heater which contacts the motor support plate. It is wired into the existing 12-position terminal block and is required in installations where the ambient temperatures drop below 32°F, (0°C). The thermostat is pre-set to activate at 40°F, (5°C) and deactivate at 60°F, (16°C). The heaters draw approximately 15 watts at all voltages.

SPECIFICATIONS

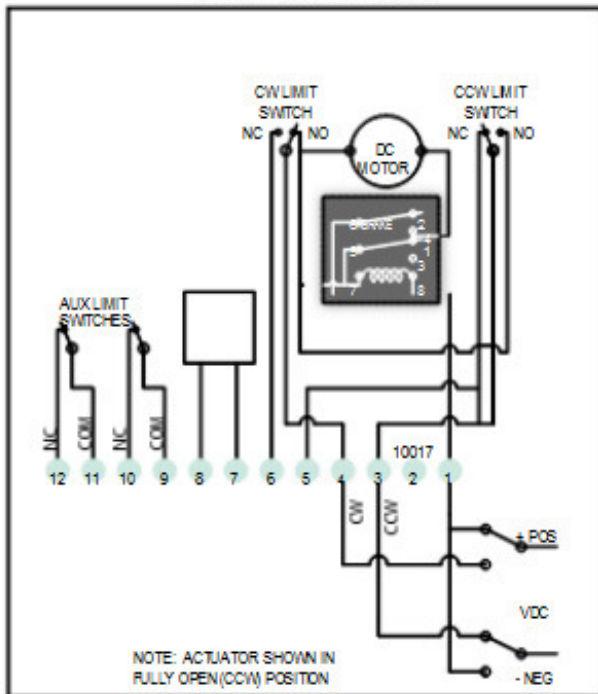
Actuator Model	Breakaway Torque in-lbs	Voltage	Duty Cycle	Speed Seconds (90°)	AMPS - Running			Approx. Weight
					24VAC	115VAC	230VAC	
EL-150	150	24VAC 115VAC or 230VAC	25%	7	2.5	0.9	0.5	6 lbs
EL-300	300			14	2.8	0.9	0.5	
EL-600	600			21	2.5	0.9	0.5	
					AMPS - Running			
					12VDC	24VDC		
EL-150	150	12VDC or 24VDC	80%	6	2.0	1.0		
EL-300	300			6	2.0	1.0		
EL-600	600			15	2.0	1.9		

EL Series Options: H - Heater/Thermostat; AUX2 - Two Additional Limit Switches;	Temperature Limits: (all models)	-40°F (with heater and thermostat) to 150°F (max.)	Override: Standard, Zinc plated steel
	Lubrication:	Permanently lubricated gear train and bearings	Output Shaft: Male, Zinc plated steel Female (optional)
	Conduit Connection:	1/2" - 14 NPT	Cover: Composite, PVC
	Dec clutchable Override:	Standard	Base: Diecast Zinc alloy
			Enclosure: Designed for NEMA 4/4X
			Finish: Powder coated epoxy

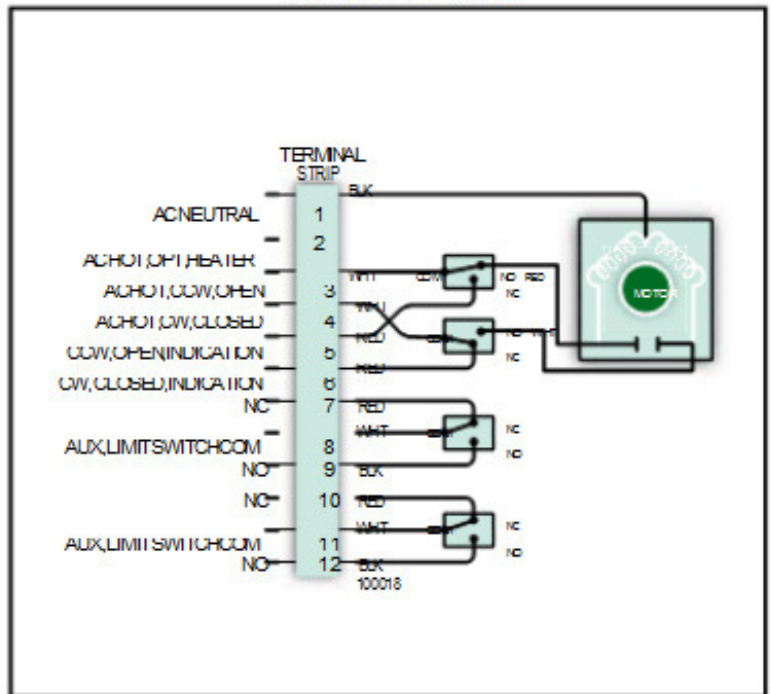
EL-600 DIMENSIONS - FEMALE



EL-600 WIRING - DC



EL-600 WIRING - AC



VALTORC