

Smart Solutions. Powerful Products.

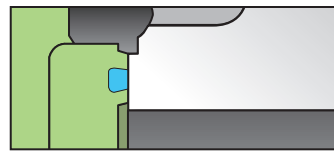


PBV[®] API 6D Flanged End Swing Style Check Valves

PBV® Series P800/P900 Swing Style Check Valves

Standard Features

- 316 SS Clapper and Pin 2", 3" & 4", WCC + 316L Overlay, Clapper 6" and Above
- 316 SS Overlay on Integral and Removable Seat Designs
- 316 SS Overlay on Body Disc Contact
- API 6D Monogrammed
- Material Meets NACE MR0175-ISO 15156
- Graphite Secondary Body Gasket for Firesafe Operation
- Dove Tail Seat/Clapper O-Ring Seal Groove
- Full Port Piggable
- Blind Bolt Holes and Metal-to-Metal Body Cover
- WCC Body Material
- Viton® GF Seals
- Hydrostatic Tested 100% to API 6D and Optional Low Pressure Air
- In-Line Repairable
- Bleed Plug On Cover
- Cast Feet To Prevent Roll Over (10" & Larger)
- Suitable for Horizontal Installation
- Vertical Upflow Installation. Consult factory for more information.



Series P800 Standard Integral Seat Design Seals With a Clapper O-ring.

How To Order & Industry Standards

Specifying PBV® Series P800 & P900 Valve Figure Numbers

Example: 4" P-860-11-2236-YY This number represents a 4" P Series, Integral Seat Design, Class 600, Firesafe to API 6FD, Raised Face End Connections, Carbon Steel Body and Cover, Stainless Steel Disc, Viton® GF Seals, NACE, no modifications.

P – **8** **60** – **1** **1** – **22** **36** – **Y** **Y**

Series	Design	Pressure Class	Fire Tested	End Connection	Body/Cover Material	Trim Material	Seat Seals	Cover Seals
P PBV	8 6D Integral Seat	10 150	1 API 6FD	1 RF	22 Carbon Steel-WCC	36 Stainless Steel	B Buna N	B Buna N/ Graphite
		30 300		2 Non-Standard			00 Same As Body	R LT Buna N
	9 6D Removable Seat	60 600		3 RTJ	28 LT Carbon Steel-LCC	36 Same As Body	Y Viton® GF	Y Viton® GF/ Graphite
		90 900		4 RF x WE			W Viton® B AED*	W Viton® GF/ Graphite
		15 1500		5 WE			Z Metal with Stellite®	W Viton® B AED*
	25 2500	6 RTJ x WE		6 RTJ x WE	28 LT Carbon Steel-LCC	36 Same As Body	Z Metal with Stellite®	Z Viton® B AED*
				6 RTJ x WE			L Graphite	L Graphite

Note: Other materials available upon request.
*API 6D requires AED for Class 600 and above.

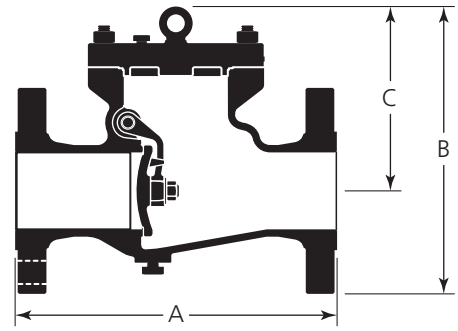
Manufactured in Strict Conformance with the Following Industry Standards

- ISO 9001 Quality System
- API 6D Specification for Pipeline Valves
- ASME B16.34 Valves - Flanged, Threaded and Welding End
- ASME B16.5 Pipe Flanges and Flanged Fittings
- NACE MR0175-ISO 15156
- CSA #Z245.15 Steel Valves
- ASME Section VIII Division 1 Boiler and Pressure Vessel Code
- Canadian Registration Number (CRN) Products Registered in all Provinces and Territories

PBV® Series P800/P900 Swing Style Check Valves

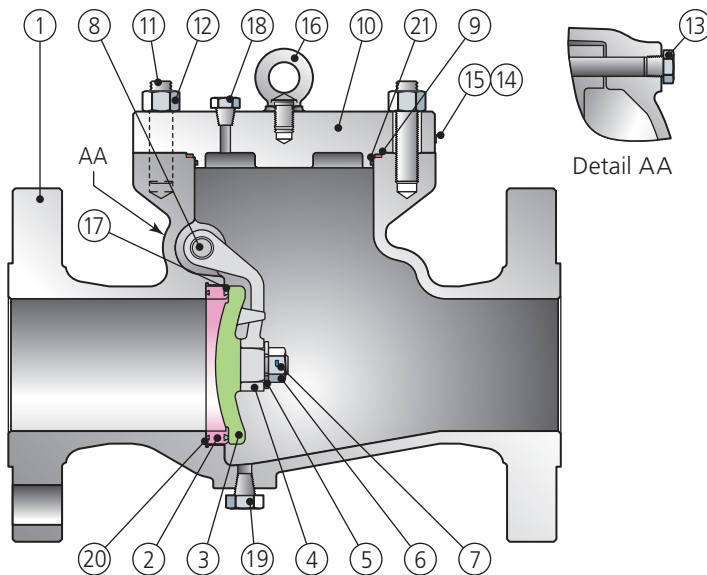
Dimensional Data, 2"-24"

Size (in.)	ANSI Class	A RF	A RTJ	B	C	Wt. (lbs.)
2	150	8.0	8.5	8.7	5.7	31
	300	10.5	11.1	8.9	5.7	40
	600	11.5	11.6	9.4	6.1	62
	900	14.5	14.6	10.5	8.5	150
	1500	14.5	14.6	10.5	8.5	150
3	150	9.5	10.0	9.7	6.0	49
	300	12.5	13.1	11.7	7.6	73
	600	14.0	14.1	11.7	7.6	112
	900	15.0	15.1	11.8	9.5	180
	1500	18.5	18.6	15.4	10.0	265
4	150	11.5	12.0	11.5	7.0	84
	300	14.0	14.6	13.3	8.3	99
	600	17.0	17.1	14.1	8.7	148
	900	18.0	18.1	14.0	11.5	250
	1500	21.5	21.6	17.7	11.6	441
6	150	14.0	14.5	16.2	10.7	128
	300	17.5	18.1	16.9	10.6	216
	600	22.0	22.1	17.4	10.4	238
	900	24.0	24.1	21.0	13.5	564
	1500	27.8	28.0	24.2	16.4	849
8	150	19.5	20.0	19.1	12.4	221
	300	21.0	21.6	19.8	12.3	309
	600	26.0	26.1	22.3	14.1	992
	900	29.0	29.1	24.0	18.5	1010
	10	150	24.5	25.0	23.9	15.0
300		24.5	25.1	23.9	14.7	582
600		31.0	31.1	27.3	16.5	1261
900		33.0	33.1	31.0	21.5	1785



Size (in.)	ANSI Class	A RF	A RTJ	B	C	Wt. (lbs.)
12	150	27.5	28.0	28.3	17.8	688
	300	28.0	28.6	29.5	18.3	893
	600	33.0	33.1	30.8	19.0	1455
	900	38.0	38.1	36.0	24.0	2370
14	150	31.0	31.5	24.3	16.2	1085
	300	33.0	33.6	35.0	22.0	1687
16	150	34.0	34.5	31.5	18.9	1405
	300	34.0	34.6	33.4	19.5	1960
18	150	38.5	39.0	37.1	22.3	1960
	300	38.5	39.1	37.6	22.5	2530
20	150	43.0	43.1	37.4	22.5	4050
	300	38.5	39.0	37.9	23.0	2110
24	150	40.0	40.8	40.7	23.6	3220
	300	47.0	47.2	45.1	27.4	6120
24	150	51.0	51.5	47.3	28.5	3290
	300	53.0	53.9	47.8	28.8	4170
	600	55.0	55.4	48.5	29.3	7970

Parts & Materials



No.	Qty.	Part Name	Material
1	1	Body	ASTM A216 WCC
2	1	Seat	316L SS
3	1	Disc	ASTM A351 CF8M
4	1	Hinge	ASTM A351 CF8M
5	1	Washer	316 SS
6	1	Lock Nut	316 SS
7	1	Pin	316 SS
8	1	Hinge Pin	ASTM A182 F316
9	1	Gasket	316 SS + Graphite
10	1	Bonnet	ASTM A105
11	*	Stud	ASTM A193 B7M
12	*	Nut	ASTM A194 2HM
13	1	Plug	ASTM A105 + Zn
14	1	Name Plate	Stainless Steel
15	2	Rivet	Carbon Steel
16	1	Lifting Bolt	Carbon Steel
17	1	Disc O-Ring	Viton® GF
18	1	Plug	ASTM A105
19	1	Plug	ASTM A105
20	1	Seat O-Ring	Viton® GF
21	1	Bonnet O-Ring	Viton® GF

*Varies by size. Consult factory.

Our goal is to become the leading provider of mission critical oilfield products and related services in terms of customer satisfaction, safety and financial performance.

Our experienced management team and employees are dedicated to solving our customers' problems. We invest in long term relationships and cooperate on product development with our clients, we consider them our partners.

OUR CORE VALUES

Integrity: In everything we do, in every interaction, both internally and externally, we strive to operate with the upmost integrity and mutual respect.

Long-term view: We are building our company for the long-term, a company that we can be proud of.

Open communication: We believe partnerships with our customers and co-workers must be based on trust, professionalism and transparency.

Customer focused: Our products enhance our customer's performance and we listen to their needs and work with them to solve their challenges.

Good place to work: We are committed to creating a workplace that fosters innovation, teamwork and pride. Every team member is integral to our success and is treated equally and fairly.

No one gets hurt: The safety of our employees and customers is our first priority coupled with a healthy respect for the environment.

For more information about our products and full Terms & Conditions please visit www.f-e-t.com.



12735 Dairy Ashford Road
Stafford, Texas 77477
281.637.2000 [m] 800.256.6193 [tf] 281.340.5499 [f]
www.f-e-t.com